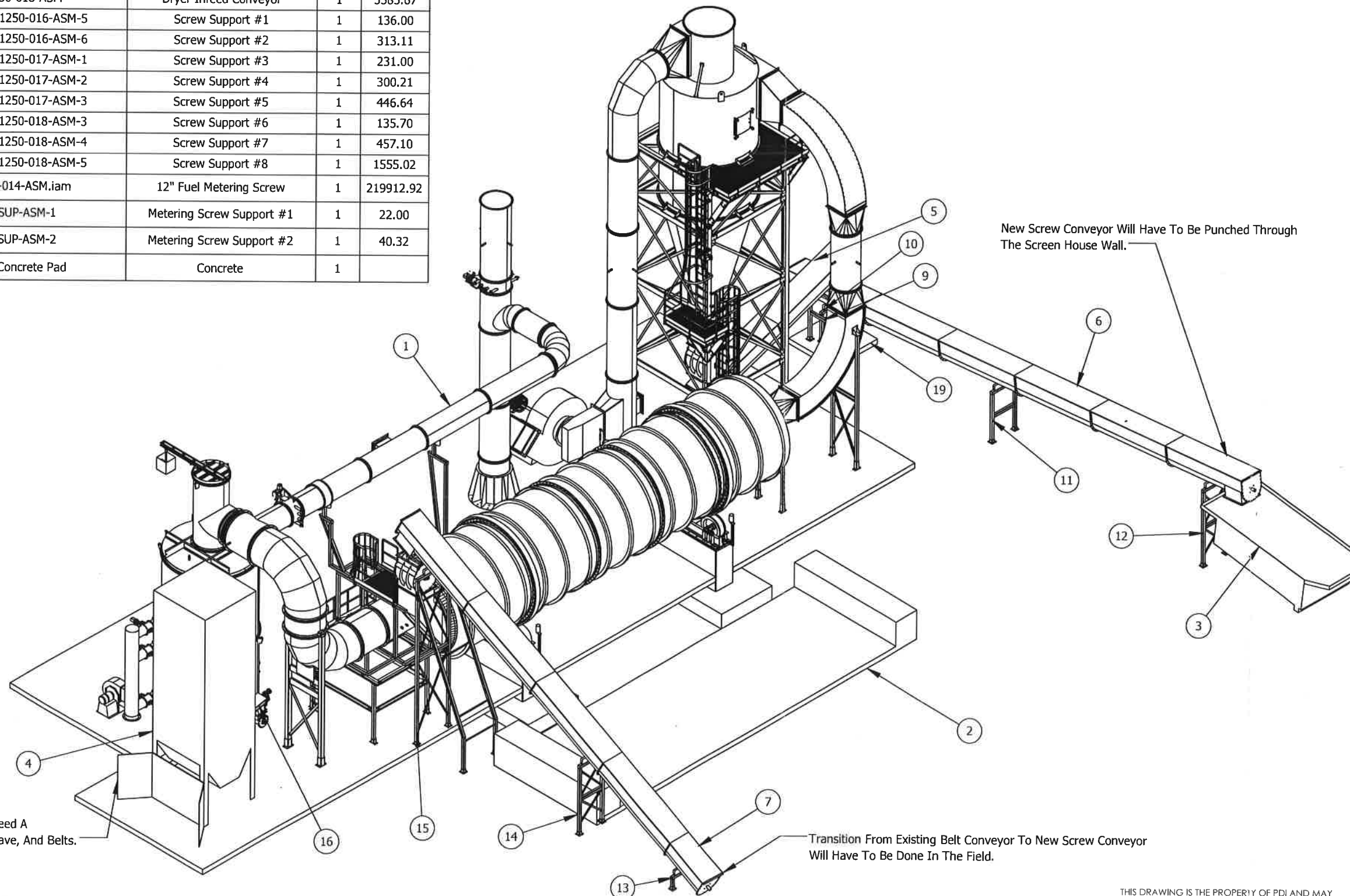


ITEM NO.	PART NUMBER	DESCRIPTION	QTY.	MASS
1	SUN002-1250-LYT-ASM	12X50 Dryer Layout	1	444306.76
2	Existing Concrete	Existing Trunnion Foundations	1	N/A
3	Mock 8'X14' Screen	Existing Line 1 Dry Product Screen	1	N/A
4	Mock Fuel Bin	Existing Line 1 Fuel Bin	1	N/A
5	SUN002-1250-016-ASM	Dryer Outfeed Conveyor	1	2618.33
6	SUN002-1250-017-ASM	Dryer Outfeed Reversing Conveyor	1	7300.53
7	SUN002-1250-018-ASM	Dryer Infeed Conveyor	1	5585.67
8	SUN002C2-1250-016-ASM-5	Screw Support #1	1	136.00
9	SUN002C2-1250-016-ASM-6	Screw Support #2	1	313.11
10	SUN002C2-1250-017-ASM-1	Screw Support #3	1	231.00
11	SUN002C2-1250-017-ASM-2	Screw Support #4	1	300.21
12	SUN002C2-1250-017-ASM-3	Screw Support #5	1	446.64
13	SUN002C2-1250-018-ASM-3	Screw Support #6	1	135.70
14	SUN002C2-1250-018-ASM-4	Screw Support #7	1	457.10
15	SUN002C2-1250-018-ASM-5	Screw Support #8	1	1555.02
16	25MM-CMB-014-ASM.iam	12" Fuel Metering Screw	1	219912.92
17	25MM-014-SUP-ASM-1	Metering Screw Support #1	1	22.00
18	25MM-014-SUP-ASM-2	Metering Screw Support #2	1	40.32
19	SUN002C2 Concrete Pad	Concrete	1	

NOTE: SCREW CONVEYORS WILL COME IN PARTS, THEY WILL HAVE TO BE PUT TOGETHER ON SITE. ALL COMPONENTS WILL BE SUPPLIED BY PDI. SCREW CONVEYORS WILL COME IN 12' SECTIONS. ALL ANCHOR BOLTS ARE TO BE SUPPLIED BY THE INSTALLATION COMPANY, THE ANCHORS BOLTS SHOULD BE IN 2/3 OF THE CONCRETE PAD.



NOTES:

Estimated Total Mass:
645199.25lbs

ISSUED FOR:

- TENDER
- CONSTRUCTION
- REVIEW (INTERNAL)
- REVIEW (CUSTOMER)

MINIMUM FILLET SIZES
(SINGLE PASS WELDS MUST BE USED)

T < 1/2"	3/16"
1/2" ≤ T < 3/4"	1/4"
T ≥ 3/4"	5/16"

UNLESS OTHERWISE INDICATED
ALL SURFACE FINISH AND TOLERANCES TO FOLLOW:

.XXX = ±.005" ANGLES = ±0.5°
.XX = ±.01" FRACT. = ± 1/16"



PLAYER DESIGN, INC.
29 SECOND ST. SUITE 2
P.O BOX 712
PRESQUE ISLE, ME 04769
OFFICE: 207.764.6811
WWW.PLAYERDESIGN.NET

DRAWING TITLE:

SUN002-LYT-001

DRAWING NUMBER:

SUN002-LYT-001

PART/ASSEMBLY NUMBER:

SUN002-LYT-001

PROJECT TITLE:

SUN002

DATE:

5/2/2016

DRAWN:

ME

REVISION:

CHECKED:

TP

SHEET NO.: 1 OF 7

SCALE: NTS

THIS DRAWING IS THE PROPERTY OF PDI AND MAY CONTAIN PROTECTED CONFIDENTIAL INFORMATION. NO REVISION, TRANSMISSION OR REPRODUCTION SHALL BE MADE WITHOUT THE EXPRESS WRITTEN CONSENT OF PDI.

NOTES:

ISSUED FOR:
 TENDER
 CONSTRUCTION
 REVIEW (INTERNAL)
 REVIEW (CUSTOMER)

MINIMUM FILLET SIZES
(SINGLE PASS WELDS MUST BE USED)

T < 1/2"	3/16"
1/2" ≤ T < 3/4"	1/4"
T ≥ 3/4"	5/16"

UNLESS OTHERWISE INDICATED
 ALL SURFACE FINISH AND TOLERANCES TO FOLLOW:

.XXX = ±.005" ANGLES = ±0.5°
 .XX = ±.01" FRACT. = ± 1/16"

PLAYER DESIGN, INC.
 29 SECOND ST. SUITE 2
 P.O BOX 712
 PRESQUE ISLE, ME 04769
 OFFICE: 207.764.6811
 WWW.PLAYERDESIGN.NET



DRAWING TITLE:
 SUN002-LYT-001

DRAWING NUMBER:
 SUN002-LYT-001

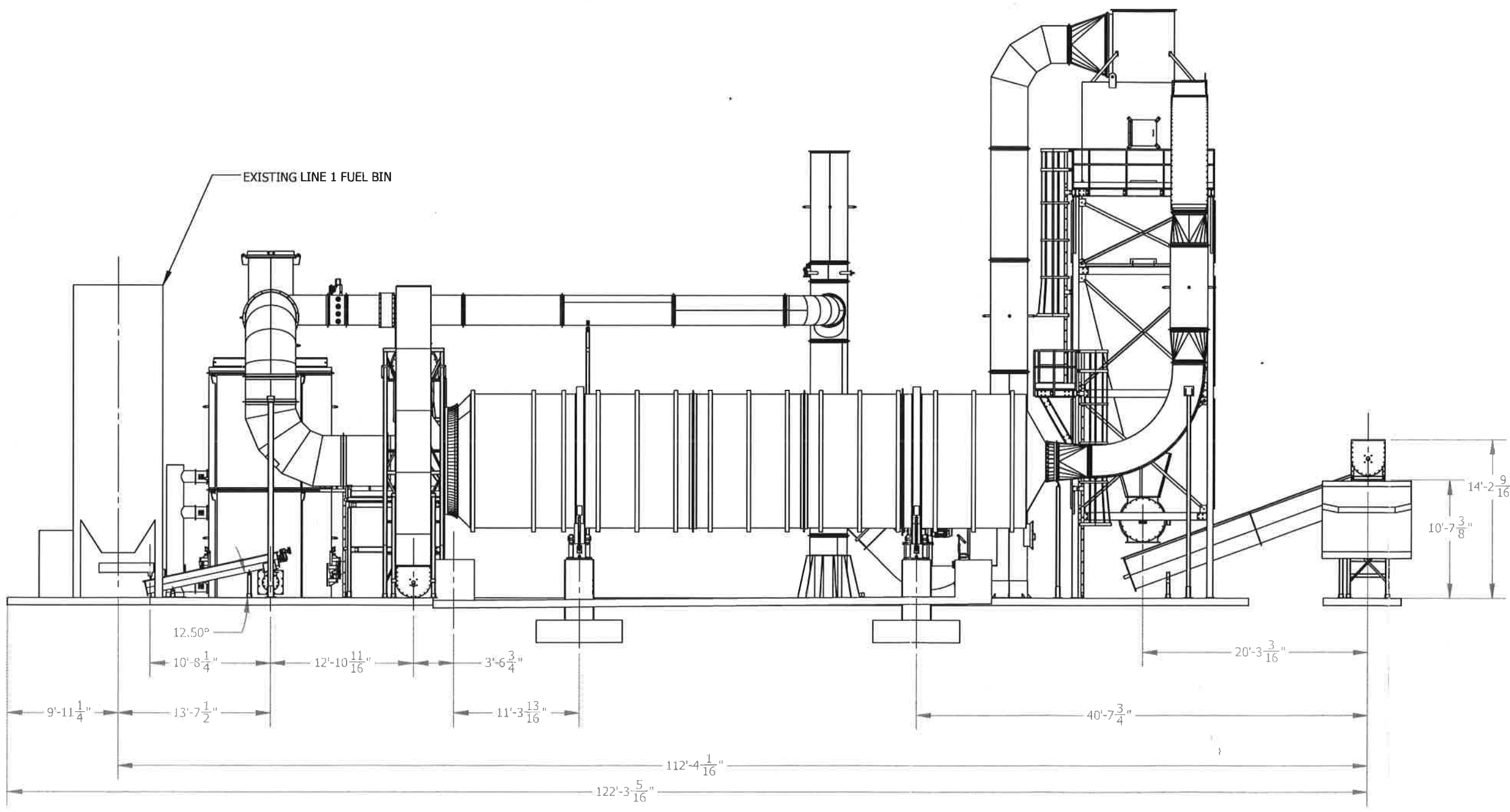
PART/ASSEMBLY NUMBER:
 SUN002-LYT-001

PROJECT TITLE:
 SUN002

DATE: 5/2/2016
 DRAWN: ME

REVISION:
 CHECKED: TP

SHEET NO.: 3 OF 7
 SCALE: NTS



THIS DRAWING IS THE PROPERTY OF PDI AND MAY
 CONTAIN PROTECTED CONFIDENTIAL INFORMATION.
 NO REVISION, TRANSMISSION OR REPRODUCTION SHALL
 BE MADE WITHOUT THE EXPRESS WRITTEN CONSENT OF PDI.